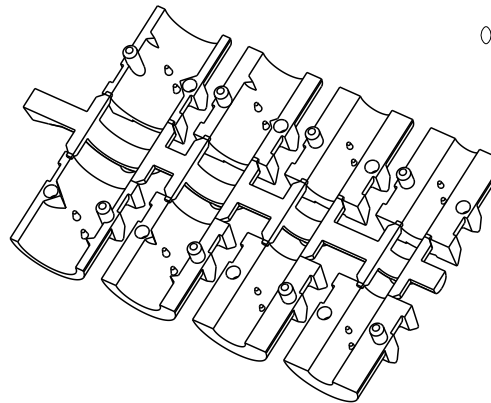
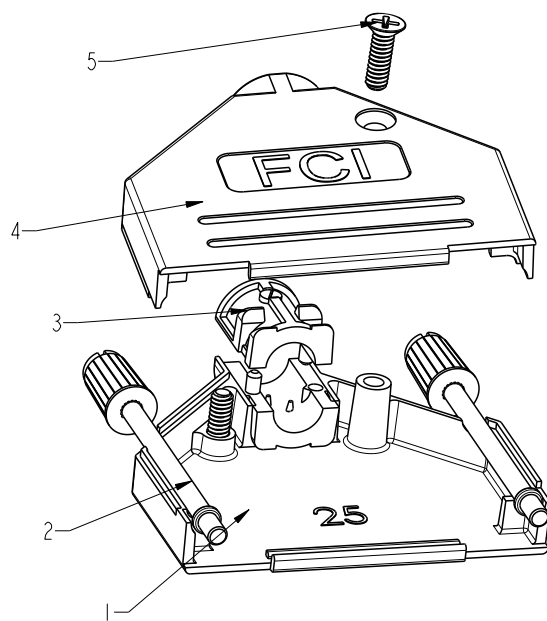
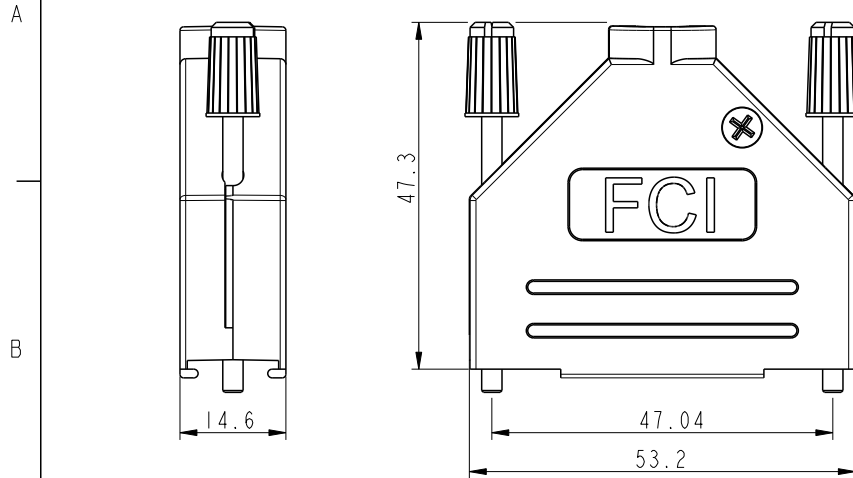


SIZE	Part Num.	Threading
25	8655MH2501BLF	UNC 4.40

NOTES:

- Material and finish: Zinc die-cast nickel plated
- Cable strain relief: Steel fibre reinforced Polycarbonate (UL94V-0) for EMI/RFI screening
- Jackscrew: black UNC 4.40
- Temperature range: -40°C to 120°C
- Cable diameter: 4,0 to 12,0mm
- Attenuation factor: >40 dB between 30MHz and 1 GHz
- Packaging: Bulk, in box of 100 P/N
- Marking FCI logo: Height 6 mm for all versions
- Covers screwing force (max): 100Ncm
- Jackscrew screwing force (max): 75 Ncm
- Other size details: see on next pages.



DESIGNATION	REP.	09	15	25	37
COVER BOTTOM	1			1	
JACKSCREW	2			2	
STRAIN RELIEF	3			2	
COVER TOP	4			1	
SCREW POZIDRIVE	5			2	



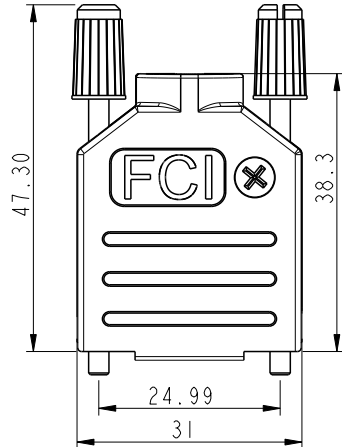
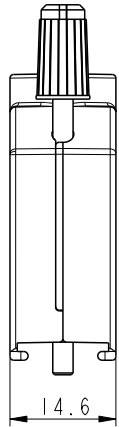
Copyright FCI.

REV F - 2006-04-17

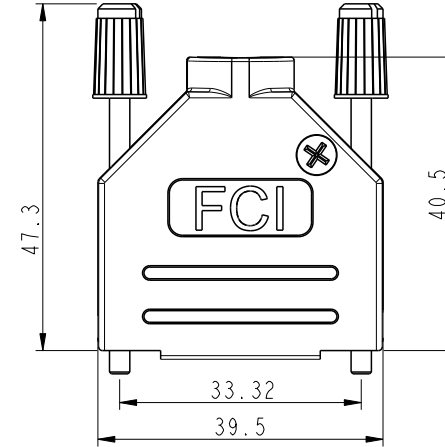
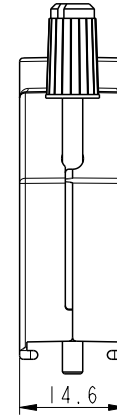
rev	ecn no	dr	date
1	-	LGO	2008/01/31
2	-	LGO	2008/02/06
A	LS08-0054	LGO	2008/04/08
-	-	-	-
-	-	-	-
-	-	-	-

www.fciconnect.com		surface ISO 1302	tolerance std ISO 406 ISO 1101	projection mm
		TOLERANCES UNLESS OTHERWISE SPECIFIED		mm
Dr	GOISNARD.L	2008/01/31	ANGULAR	LINEAR
Eng	PESSON.M	2008/01/31	0.X	±0.3
Chr	LEGARE.P	2008/01/31	0.XX	±0.1
Appr	LEGARE.P	2008/01/31	0.XXX	±0.05
Product family				size A3
Spec ref				Scale 1:1
FCI title D-SUB METAL SHELLS				ECN LS08-0054
STRAIGHT				Spec ref
catalog no				10085962C
				Rev. A
				sheet 1 of 3

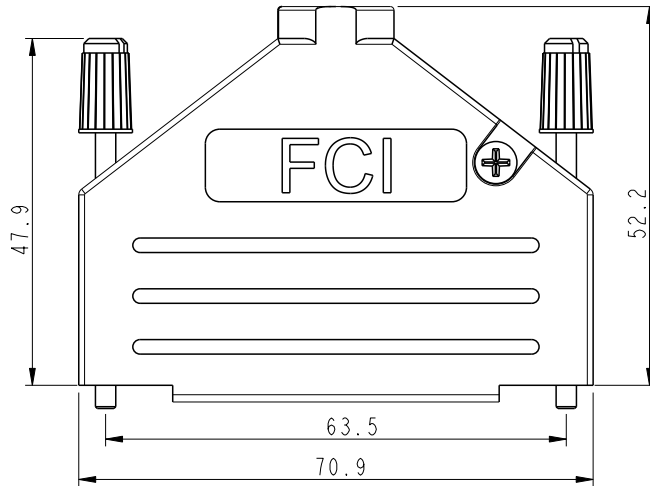
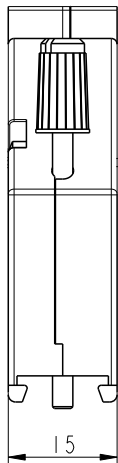
SIZE	Part Num.	Threading
09	8655MH090IBLF	UNC 4.40



SIZE	Part Num.	Threading
15	8655MH150IBLF	UNC 4.40



SIZE	Part Num.	Threading
37	8655MH370IBLF	UNC 4.40



NOTE: RoHS INFORMATIONS

- The "LF" product meets European union Directives and other country regulations as described in GS-22-008.
- The product is not intended to be exposed to a manufacturing solder process.
- Packaging spec: see GS-14-920.

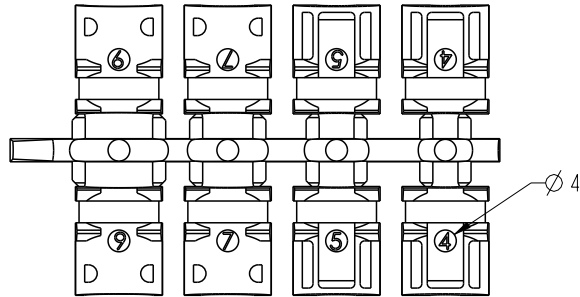
www.fciconnect.com			surface - <input checked="" type="checkbox"/>	tolerance std	projection	mm	
			ISO 1302	ISO 406 ISO 1101			
			TOLERANCES UNLESS OTHERWISE SPECIFIED				
Dr	GOISNARD.L	2008/01/31	ANGULAR	0.X	±0.3	size A3	Scale 1:1
Eng	PESSON.M	2008/01/31	LINEAR	0.XX	±0.1		
Chr	LEGARE.P	2008/01/31	0° ±2°	0.XXX	±0.05	ECN	LS08-0054
Appr	LEGARE.P	2008/01/31	Product family		D-SUB	Spec ref	
	title D-SUB METAL SHELLS				dwg no	10085962C	Rev. A
	STRAIGHT						
	catalog no				-	-	sheet 2 of 3



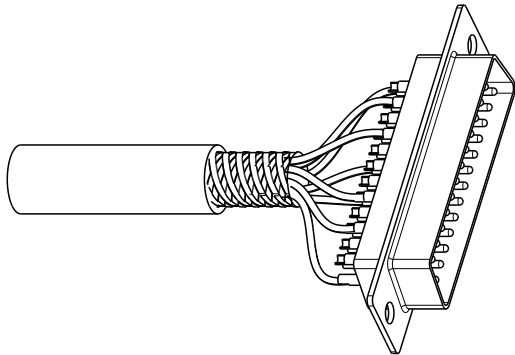
Copyright FCI.

CABLING INSTRUCTIONS

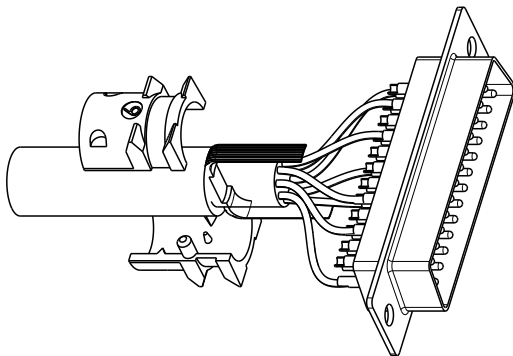
1- Use two halves of strain relief, different sizes can be mixed (Ø4,5,7 or 9)



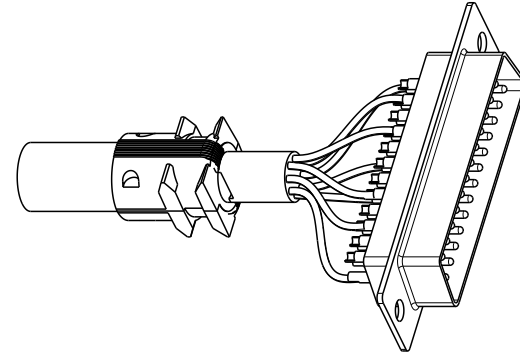
2- Strip cable 18mm and shape to two pigtails



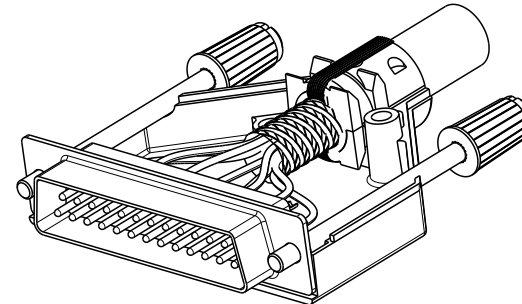
3- Attach the strain relief around the cable



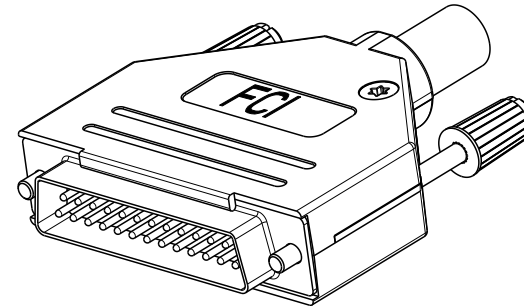
4- Bend cable shielding back on outside of strain relief



5- Mount connector and cable into the backshell



6- Assemble the other half screwing force: 100 Ncm



Copyright FCI.

REV 1 - 2006-04-17

www.fciconnect.com			surface - ✓	tolerance std	projection	mm
			ISO 1302	ISO 406 ISO 1101		
			TOLERANCES UNLESS OTHERWISE SPECIFIED			
Dr	GOISNARD.L	2008/01/31	ANGULAR	0.X	±0.3	size A3
Eng	PESSON.M	2008/01/31	LINEAR	0.XX	±0.1	Scale 1:1
Chr	LEGARE.P	2008/01/31	0° ±2°	0.XXX	±0.05	ECN LS08-0054
Appr	LEGARE.P	2008/01/31	Product family	D-SUB		Spec ref
	title D-SUB METAL SHELLS			dwg no	10085962C	
	STRAIGHT				Rev. A	
	catalog no			-	sheet 3 of 3	